



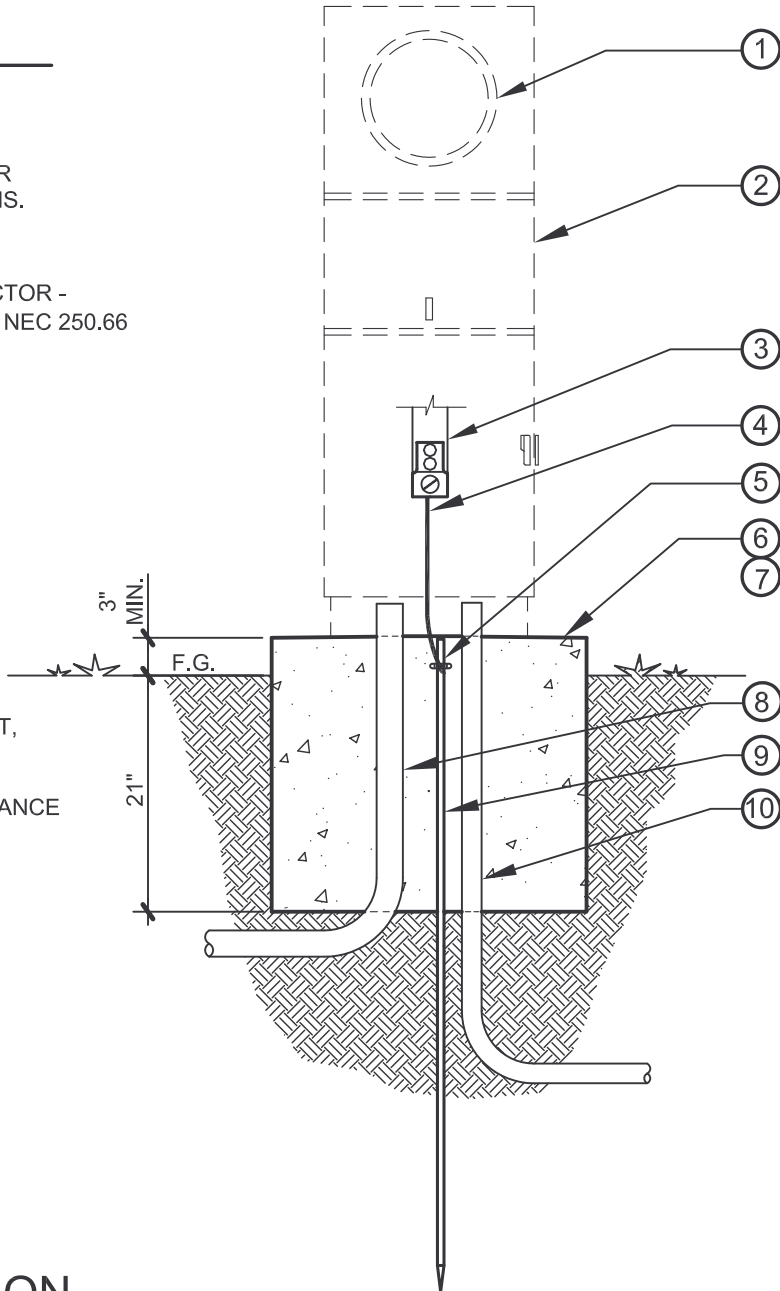
CITY OF HENDERSON
240 Water Street
P.O. Box 95050
Henderson, NV 89009
702-267-3610

BUILDING & FIRE SAFETY

702-267-3650
Fax 702-267-3603

KEYNOTES: ①

- ① - METER BASE
- ② - METER PEDESTAL - BOLTED TO CONCRETE BASE & INSTALLED PER MANUFACTURER'S SPECIFICATIONS.
- ③ - MAIN NEUTRAL GROUND BUS BAR
- ④ - GROUNDING ELECTRODE CONDUCTOR - INSTALLED IN ACCORDANCE WITH NEC 250.66
- ⑤ - LISTED, DIRECT-BURIAL CLAMP PER NEC 250.70
- ⑥ - 24"X24"X24" CONCRETE FOOTING
- ⑦ - SURFACE SLOPED TO DRAIN
- ⑧ - CONDUIT RUN TO LOAD - SCHEDULE 40 PVC CONDUIT 2" FOR 100 & 200 AMPS, 18" DEEP OR UF CABLE 24" DEEP (CONDUIT REQUIRED THRU CONCRETE)
- ⑨ - MINIMUM 8 FT. GROUND ROD - 5/8" COPPER CLAD OR EQUIVALENT, OR 1/2" LISTED NON-FERROUS OR EQUIVALENT (NEC 250.52 (A)(5) AS AMENDED) INSTALLED IN ACCORDANCE WITH NEC 250.53(G).
- ⑩ - POWER SUPPLY CONDUIT



SECTION

NTS

DRAWING NAME:

POWER DISTRIBUTION PEDESTAL

DRAWING NO.:

BFS-14

DATE:

FEBRUARY 2008