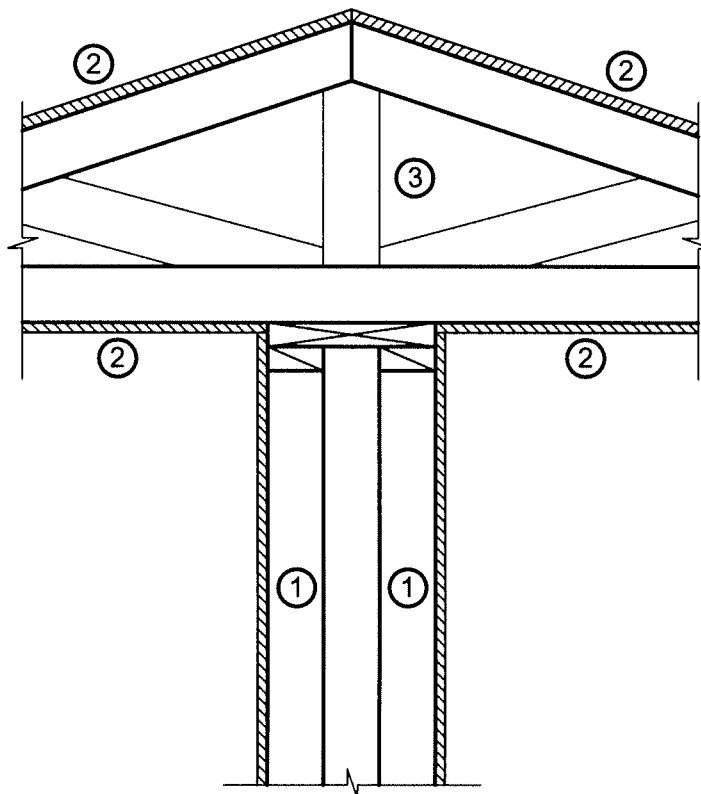


CITY OF HENDERSON
240 Water Street
P.O. Box 95050
Henderson, NV 89009
702-267-3610

BUILDING & FIRE SAFETY

702-267-3650
Fax 702-267-3603



- ① - 1-HR FIRE RESISTANCE-RATED LISTED ASSEMBLY WALL ASSEMBLY SHALL EXTEND FROM TOP OF FOUNDATION OR FLOOR/CEILING ASSEMBLY BELOW TO THE UNDER-SIDE OF THE FLOOR OR ROOF ABOVE. MAYBE BEARING OR NON-LOAD BEARING WALL.
- ② - 1-HR FIRE-RESISTANCE RATED LISTED ROOF/CEILING ASSEMBLY
- ③ - BEAMS, TRUSSES, JOISTS, ETC. - MAY EXTEND PAST WALL ASSEMBLY IF ENCLOSED WITHIN THE FIRE-RATED FLOOR/CEILING ASSEMBLY.

NOTE: BLOCKING, NAILERS, ETC. NOT SHOWN.

DRAWING NAME:

**DWELLING UNIT SEPARATION WALL AT
RATED ROOF / CEILING ASSEMBLY, DOUBLE WALL**

DRAWING NO.:

BFS-10

DATE:

AUGUST 2007