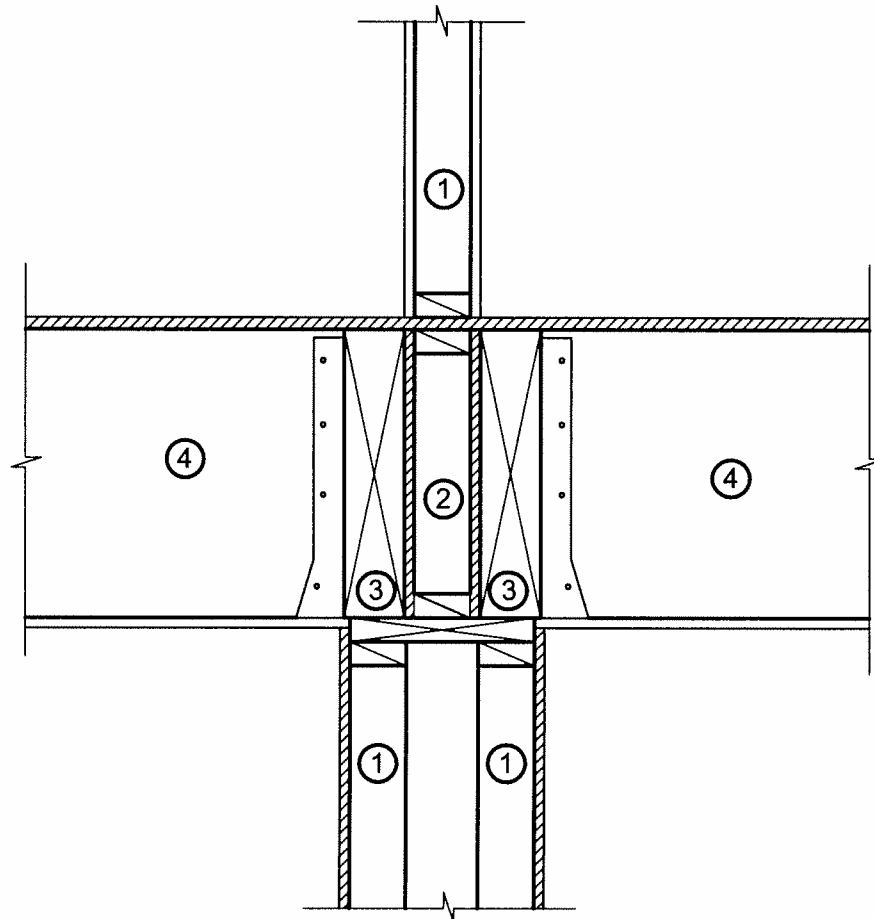


CITY OF HENDERSON
240 Water Street
P.O. Box 95050
Henderson, NV 89009
702-267-3610

BUILDING & FIRE SAFETY

702-267-3650
Fax 702-267-3603



- ① - SEPARATION WALL - FIRE RESISTANCE-RATED LISTED ASSEMBLY
- ② - SINGLE FIRE-RESISTANCE RATED WALL - MAY BE USED ABOVE TWO-WALL, FIRE-RESISTANCE RATED SEPARATION WALL. NO PENETRATION ALLOWED INTO SINGLE, FIRE-RESISTANCE, RATED WALL.
- ③ - BEAMS, JOISTS, ETC. - MAY BEAR ON SEPARATION WALL.
- ④ - NON-RATED FLOOR/CEILING ASSEMBLY

NOTE: BLOCKING, NAILERS, ETC. NOT SHOWN.

DRAWING NAME:

**DWELLING UNIT SEPARATION WALL
AT NON-RATED FLOOR / CEILING ASSEMBLY**

DRAWING NO.:

BFS-6

DATE:

AUGUST 2007