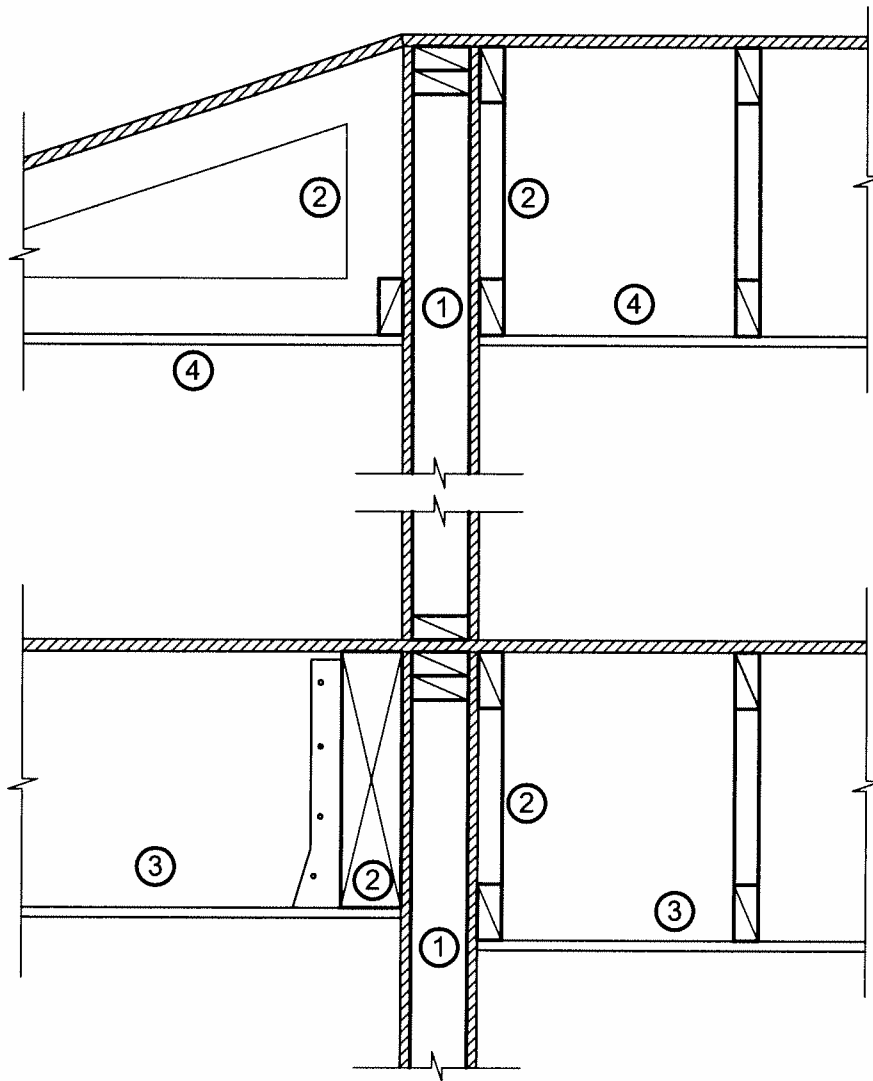


**CITY OF HENDERSON**  
 240 Water Street  
 P.O. Box 95050  
 Henderson, NV 89009  
 702-267-3610

# BUILDING & FIRE SAFETY

702-267-3650  
 Fax 702-267-3603



- ① - 1-HR FIRE RESISTANCE-RATED LISTED ASSEMBLY  
 WALL ASSEMBLY SHALL EXTEND FROM THE TOP OF FOUNDATION OR FLOOR/CEILING ASSEMBLY BELOW TO THE UNDER-SIDE OF THE FLOOR OR ROOF ABOVE. MAY BE BEARING OR NON-LOAD BEARING WALL.
- ② - TRUSSES, JOISTS, RAFTERS, BEAMS, GIRDERS, ETC. - SHALL NOT PENETRATE INTO THE FIRE PARTITION MEMBRANE OR THROUGH THE FIRE PARTITION ASSEMBLY.
- ③ - NON-RATED FLOOR/CEILING ASSEMBLY
- ④ - NON-RATED ROOF/CEILING ASSEMBLY

NOTE: BLOCKING, NAILERS, ETC. NOT SHOWN.

DRAWING NAME: <b>FIRE PARTITION 1-HOUR, FIRE-RESISTANCE RATED</b> PER IBC SEC. 708.4	DRAWING NO.: BFS-13
	DATE: AUGUST 2007